



### Standard Features

Nominal Flow Rate: 40/65lpm  
Electro Mechanical Totalizers  
Preset Function  
LCD Back Light Display 34mm  
Electronic Calibration  
ATEX 94/9/EC  
MID 2004/22/EC

### Optional Features

EMV pay at the Pump  
Interface with OPT Systems.  
RFID Transactions  
Automatic Temperature compensation  
On Pump printer  
Vapor Recovery Stage II

### M-5500 Series provides:

1. High accuracy Flow Meter eliminates loss of product.
2. State of art Electronics
3. Robust Construction
4. Visual Standards according to customer's needs
5. Low total life circle cost
6. Efficient long standing support on genuine Spare Parts
7. Fast deliveries
8. Extended Warranty

# RETAIL M-5500 SERIES

---

## Design features



### STATE OF ART PRODUCTION FACILITIES

- Production facility housed in an industrial building of 3500m<sup>2</sup>. To comply with the up-to-date technological market requirements the production is equipped with state of art equipment such as punching machines (CNC), testing facilities, underground fuel depots and MRP warehouses software.
- Production facility certified according to ATEX 94/9/EC and MID/2004/22 Directives.



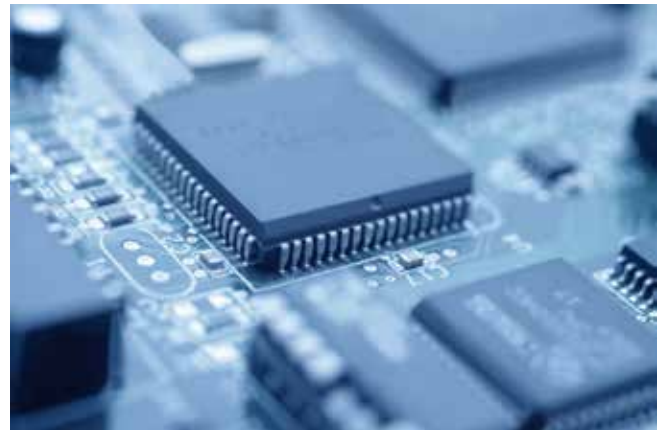
### EXTERIOR HOUSING

- Galvanized Steel Metal Panels, powder coating paint for excellent appearance, maximum protection and long life.
- Durable construction in harsh environmental conditions.
- Stainless Steel Metal Panels (optionally)



### HYDRAULICS

- High quality hydraulic components designed for Easy Installation, Simplicity on Operation and Minimum Maintenance Requirements.
- Flow Meter and Pumping Unit are certified according to MID 2004/22/EC Directive, ensuring highest accuracy.

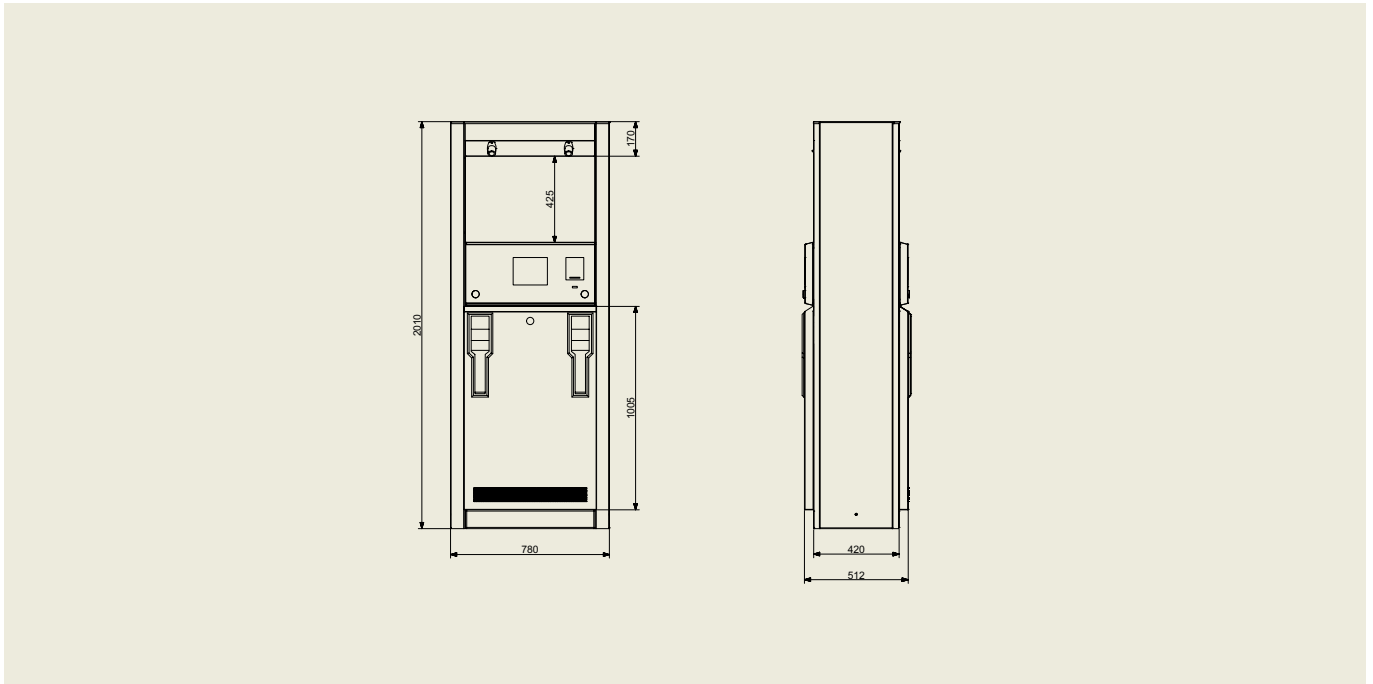


### ELECTRONICS

- R&D Electronics Dept. manned with certified engineers, offering tailor made solutions.
- Electronics according to latest technology, with password MID Certified.
- Built in diagnostics with error codes indicated in state of the art LCD Backlight Displays.
- IFSF Communication Protocol.

# RETAIL M-5500 SERIES

## Technical Specs



RETAIL FUEL DISPENSER  
SUCTION TYPE OR PRESSURE TYPE  
UP TO 4 HOSES AND 2 PRODUCTS

**FLOW RATE: 40 / 65 lpm**

### Flow Meter

Positive displacement meter, corrosion proof, composed of materials with long-life and long-wear characteristic.

Measuring accuracy within:  $\pm 0.2\%$ .

Cylinder cover adjustment device provides easy field calibration.

Micro exterior adjustment.

Min. Flow rate: 5 lpm

Max. Flow rate: 90 lpm

Minimum adjustable quantity: 0.025%.

Delivery capacity per revolution: 0.5L

Repeatable Tolerance:  $\pm 0.1\%$

Applicable with unleaded gasoline 15%-20% MTBE / Gas Oil / kerosene.

MID Certification

### Suction Pump

Sliding vane type (Optionally Gear Type)

Suction head 4 meters.

With air eliminator, micro filtration, adjustable by-pass valve and control valve.

Belt driven pumping unit.

Min. Flow rate: 5 lpm

Max. Flow rate: 90 lpm

MID Certification

### Electronics

Atmel AVR Risc-Processor

Accuracy class: 0.5

Electromagnetic environment class: E1

Automatic Temperature Compensation

Self diagnostics

MID Certification

### Hose

Type: Petrochemical & Chemical

Internal diameter: 3/4" (Gasoline) / 1" (Diesel)

Length: 4.0m (Optionally any other length)

High quality braid reinforced antistatic hose

Certified: EN 1360/1

### Nozzle

Type: Automatic

Body: Aluminum

Seals: Buna - N, Viton

Spout: Aluminum

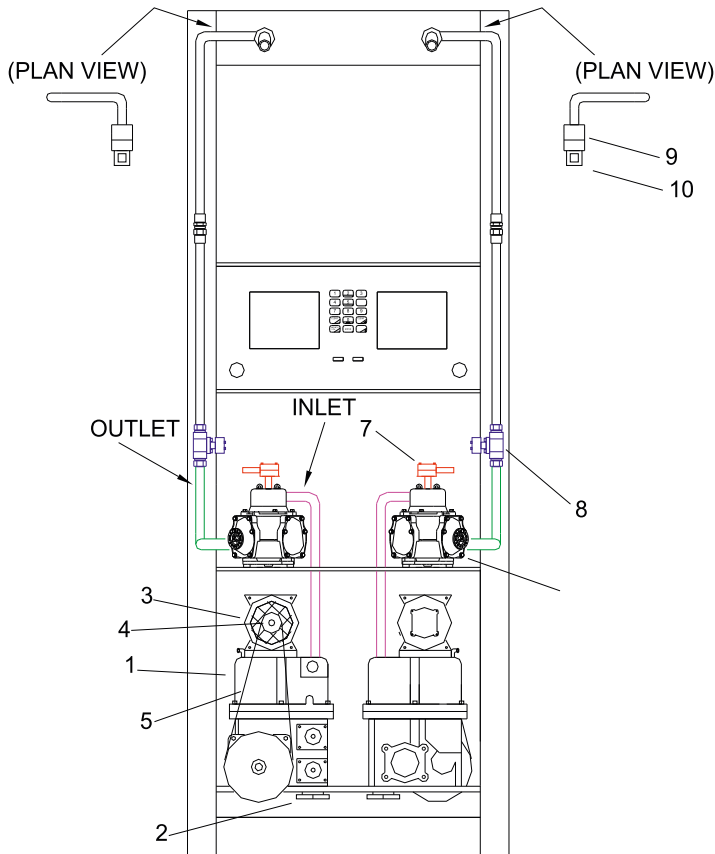
Inlet diameter for Gasoline: 3/4"

Inlet diameter for Diesel: 1"

UL LISTED / ATEX

# RETAIL M-5500 SERIES

## Design features



I/N	DESCRIPTION
1	PUMPING UNIT MID 2004/22/EC CERTIFIED
2	PUMPING UNIT INLET FLANGE
3	ELECTRIC MOTOR ATEX 94/9/EC CERTIFIED
4	PULLEY
5	V-BELT
6	FLOWMETER MID 2004/22/EC CERTIFIED
7	PULSER ATEX 94/9/EC CERTIFIED
8	SOLENOID VALVE ATEX 94/9/EC CERTIFIED
9	FUEL DISPENSER, CAST OUTLET 1"
10	SIGHT GLASS 1"

## Spyrides Dispenser Range



## Documentation

Documentation provided with each Fuel Dispenser:

- Installation, Operation and Maintenance Manual
- Parts Manual
- Warranty Declaration
- All relevant Certificates

## **SPYRIDES GROUP**