



Standard Features

Nominal Flow Rate: 40/80/120/160lpm
Electro Mechanical Totalizers
Preset Function
Electronic Calibration
ATEX 94/9/EC
MID 2004/22/EC

Optional Features

EMV pay at the Pump
Interface with OPT Systems.
RFID Transactions
Automatic Temperature compensation
On Pump printer
Vapor Recovery Stage II

M-5300 Series provides:

1. High accuracy Flow Meter eliminates loss of product.
2. State of art Electronics
3. Robust Construction
4. Visual Standards according to customer's needs
5. Low total life circle cost
6. Efficient long standing support on genuine Spare Parts
7. Fast deliveries
8. Extended Warranty

INDUSTRIAL M-5300 SERIES

Design features



STATE OF ART PRODUCTION FACILITIES

- Production facility housed in an industrial building of 3500m². To comply with the up-to-date technological market requirements the production is equipped with state of art equipment such as punching machines (CNC), testing facilities, underground fuel depots and MRP warehouses software.
- Production facility certified according to ATEX 94/9/EC and MID/2004/22 Directives.



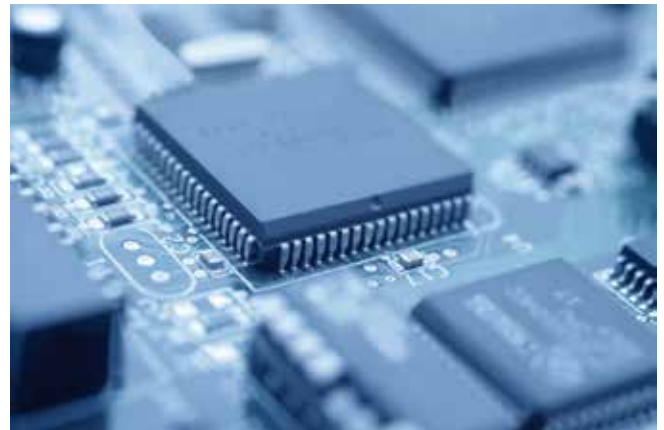
EXTERIOR HOUSING

- Galvanized Steel Metal Panels, powder coating paint for excellent appearance, maximum protection and long life.
- Durable construction in harsh environmental conditions.
- Stainless Steel Metal Panels (optionally)



HYDRAULICS

- High quality hydraulic components designed for Easy Installation, Simplicity on Operation and Minimum Maintenance Requirements.
- Flow Meter and Pumping Unit are certified according to MID 2004/22/EC Directive, ensuring highest accuracy.

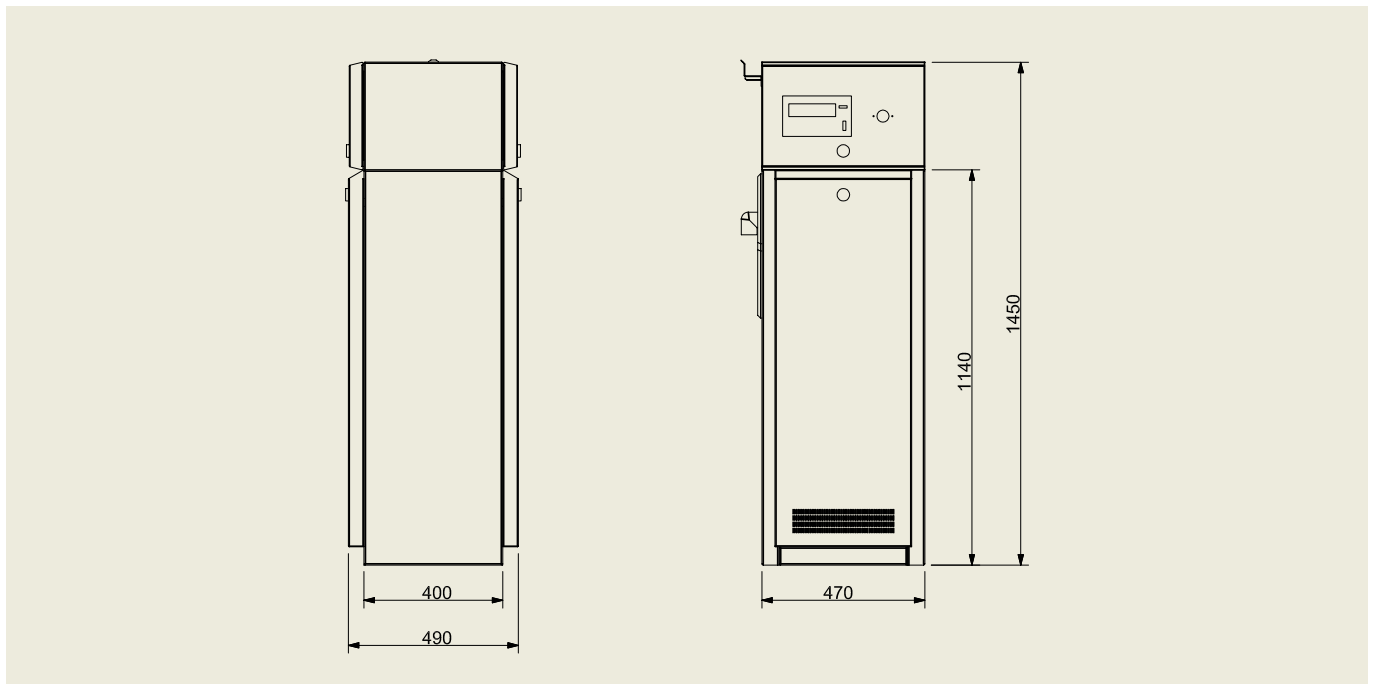


ELECTRONICS

- R&D Electronics Dept. manned with certified engineers, offering tailor made solutions.
- Electronics according to latest technology, with password MID Certified.
- Built in diagnostics with error codes indicated in state of the art LCD Backlight Displays.
- IFSF Communication Protocol.

INDUSTRIAL M-5300 SERIES

Technical Specs



INDUSTRIAL FUEL DISPENSER (OPTIONALLY RETAIL)
SUCTION TYPE OR PRESSURE TYPE
SINGLE OR DUAL HOSE – SINGLE OR DUAL PRODUCT
FLOW RATE: 40 / 80 / 120 / 160 lpm

Flow Meter

Positive displacement meter, corrosion proof, composed of materials with long-life and long-wear characteristic.
Measuring accuracy within: $\pm 0.2\%$.
Cylinder cover adjustment device provides easy field calibration.
Micro exterior adjustment.
Min. Flow rate: 5 lpm
Max. Flow rate: 90 lpm
Minimum adjustable quantity: 0.025%.
Delivery capacity per revolution: 0.5L
Repeatable Tolerance: $\pm 0.1\%$
Applicable with unleaded gasoline 15%-20% MTBE / Gas Oil / kerosene.
MID Certification

Suction Pump

Sliding vane type (Optionally Gear Type)
Suction head 4 meters.
With air eliminator, micro filtration, adjustable by-pass valve and control valve.
Belt driven pumping unit.
Min. Flow rate: 5 lpm
Max. Flow rate: 90 lpm
MID Certification

Electronics

Atmel AVR Risc-Processor
Accuracy class: 0.5
Electromagnetic environment class: E1
Automatic Temperature Compensation
Self diagnostics
MID Certification

Hose

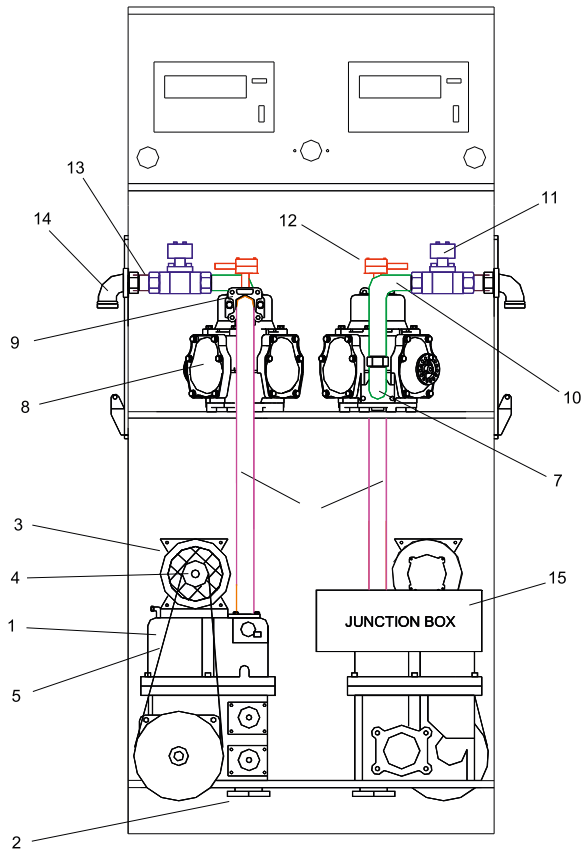
Type: Petrochemical & Chemical
Internal diameter: 3/4" (Gasoline) / 1" (Diesel)
Length: 4.0m (Optionally any other length)
High quality braid reinforced antistatic hose
Certified: EN 1360/1

Nozzle

Type: Automatic
Body: Aluminum
Seals: Buna – N, Viton
Spout: Aluminum
Inlet diameter for Gasoline: 3/4"
Inlet diameter for Diesel: 1"
UL LISTED / ATEX

INDUSTRIAL M-5300 SERIES

Design features



I/N	DESCRIPTION
1	PUMPING UNIT MID 2004/22/EC CERTIFIED
2	PUMPING UNIT INLET FLANGE
3	ELECTRIC MOTOR ATEX 94/9/EC CERTIFIED
4	PULLEY
5	V-BELT
6	FLOWMETER INLET PIPE
7	FLOWMETER OUTLET FLANGE
8	FLOWMETER MID 2004/22/EC CERTIFIED
9	FLOWMETER INLET FLANGE
10	FLOWMETER OUTLET PIPE
11	SOLENOID VALVE ATEX 94/9/EC CERTIFIED
12	PULSER ATEX 94/9/EC CERTIFIED
13	OUTLET PIPE
14	FUEL DISPENSER, CAST OUTLET 1"
15	JUNCTION BOX

Spyrides Dispenser Range

Documentation



Documentation provided with each Fuel Dispenser:

- Installation, Operation and Maintenance Manual
- Parts Manual
- Warranty Declaration
- All relevant Certificates

SPYRIDES GROUP