



Manufacturing and Trading Company.  
Established in 1999 Based in the UK.

MC Positive Displacement Flow Meters use the long time proven technology of Rotor and Vane.  
No friction due to the precise accuracy tolerances of the principle.

MC Flow Meters are designed and engineered in Europe and pass through rigorous tests that ensure accuracy, repeatability and long life.

## Veeder Root



Mechanical Register VR7887



Mechanical Register With Printer VR7890



Mechanical Register With Preset VR7891



Electronic Register EMR3



## LPG Meters



**MCL 507 Meter is designed for liquid petroleum gas applications, LPG**

- Capacity: 380 lpm
- Body: Aluminum, Cast iron
- Working pressure: 24 Bar
- Connections: 2" NPT thread

## PB Rotary Vane Pumps



**Self Priming Rotary Vane Pump**, with internal By-Pass Valve.  
High efficiency pumps, can handle viscous and volatile liquids requiring less horsepower.  
Higher flow-rates at lower number of revolutions.  
Applications include Tanker Trucks, Fleet Refueling, Lube Oil, Aviation Refuelers, Transport of Petrochemicals, Gasoline, Biofuels, Solvents etc.

## MC Positive Displacement Meters



### MC 505 with mechanical register

- Capacity: 250 lpm
- Element: Aluminum, Cast iron
- Pressure rating: 10 bar
- Rotors, Seals: various materials depending on product
- Connections: 1½" NPT thread, standard, 2" optional



### MC 507 with mechanical register and strainer

- Capacity: 380 lpm
- Element: Aluminum, Cast iron, Stainless steel
- Pressure rating: 10 bar.
- Rotors, Seals: various materials depending on product
- Connections: 2" NPT thread, standard, 1" optional



### MC 515 with mechanical register, strainer and air eliminator

- Capacity: 750 lpm
- Element: Aluminum, Cast iron
- Pressure rating: 10 bar
- Rotors, Seals: various materials depending on product
- Connections: 3" NPT thread, standard



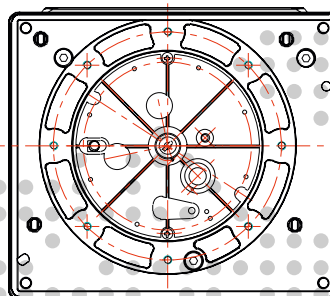
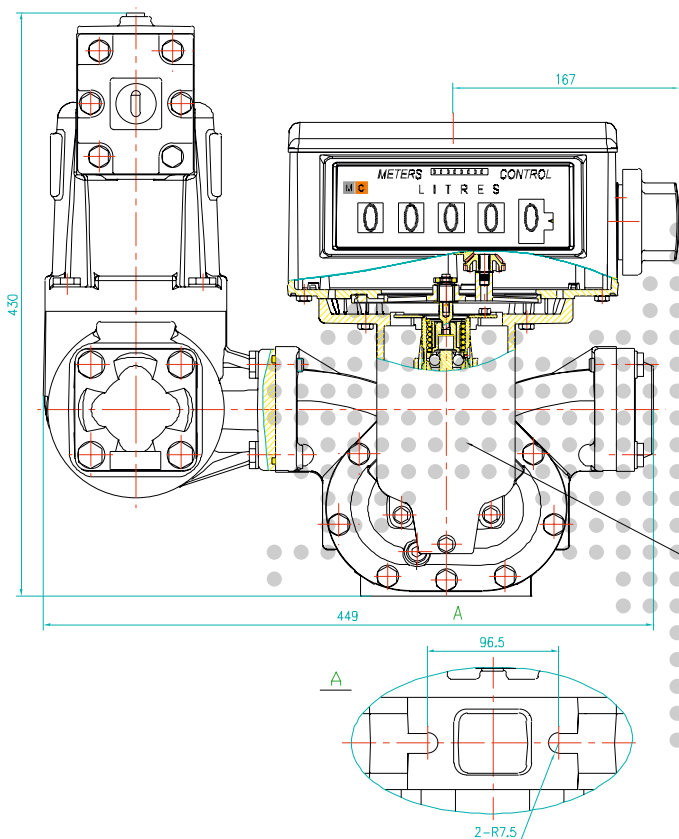
### MC 530 with mechanical register, preset, printer, strainer & air eliminator

- Capacity: 1300 lpm
- Element: Aluminum, Cast iron
- Pressure rating: 10 bar
- Rotors, Seals: various materials depending on product
- Connections: 4" NPT thread, standard



### MC 560 with mechanical register

- Capacity: 2270 lpm
- Element: Aluminum, Cast iron
- Pressure rating: 10 bar
- Rotors, Seals: various materials depending on product
- Connections: 4" NPT thread, standard, 6" optional



### Wide range of accessories

- Flanges
- Air Eliminators
- Strainers
- Gear Plates
- Preset Valves
- Air Check Valves
- Pulsers
- Hydraulic Piston Valves (HPV)

### Main Characteristics

Continuous Accuracy over a wide range of:

- Flow rates
- Pressure rates
- Product temperature variations
- Liquid Viscosities

Repeatability under diverse conditions and products.  
Lack of internal friction which ensures long life.  
Certification according European Safety & Accuracy Standards

- Directive 2004/22/EC (MID)
- Directive 94/9/EC (ATEX)



#### NETMIL Co Ltd

Norfolk House Centre, 82 Saxon Gate West  
Milton Keynes MK9 2DL, ENGLAND  
TEL: +44 7552956089

#### NETMIL TRADING LTD

2 Sofouli Street, Chanteclair House  
P.O. Box 21814, CY-1513, Nicosia, CYPRUS  
TEL: +357 97 77 35 04

sales@meterscontrol.com  
tech@meterscontrol.com

